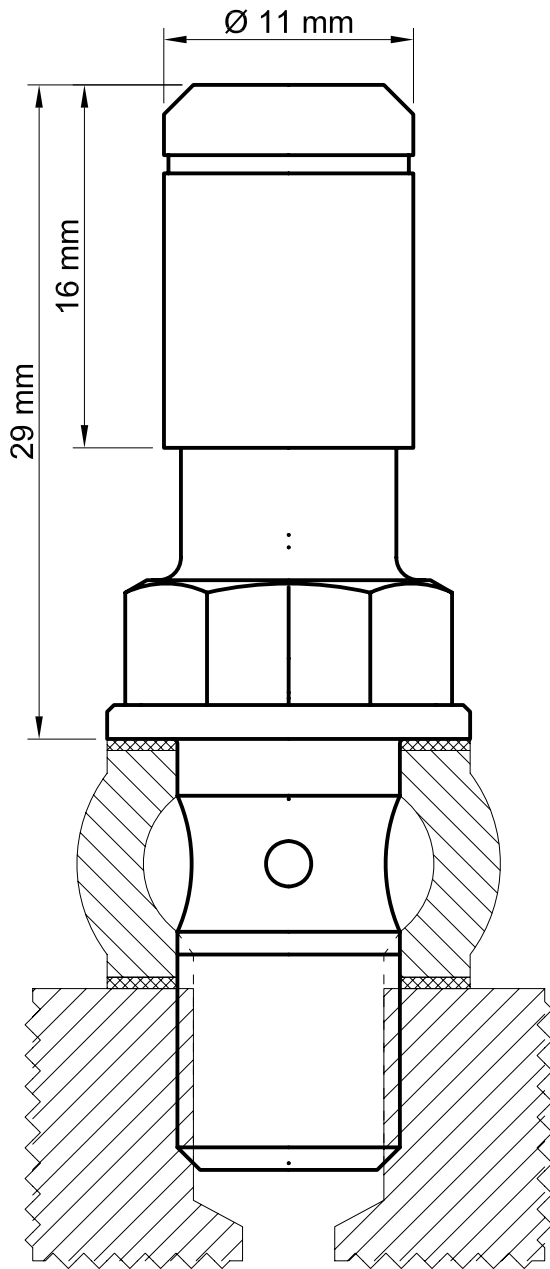


Dimensions stahlbus Bleeder Valves

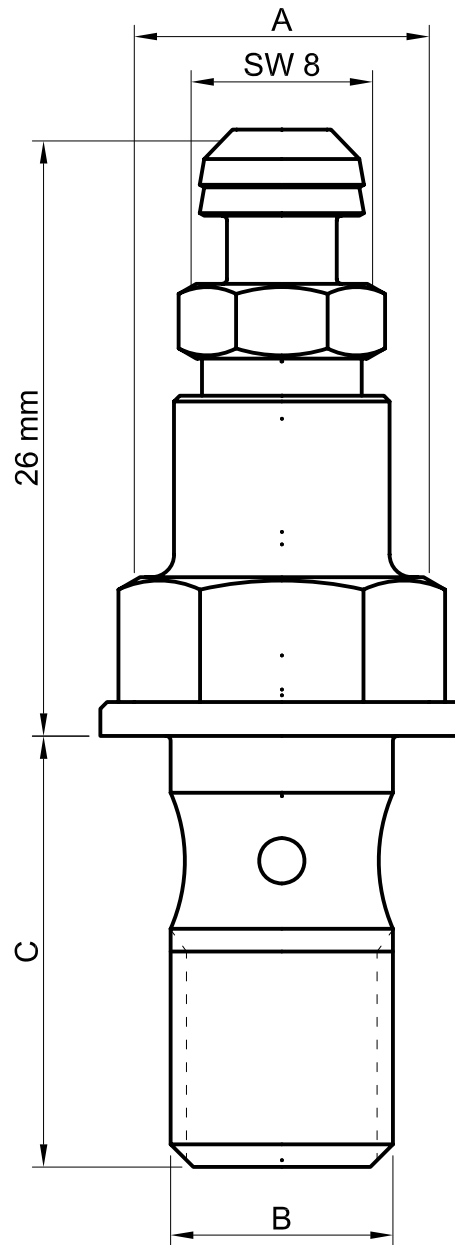
- Banjo and Double Banjo Bolts -



stahlbus GmbH
 Werksstrasse 15 45527 Hattingen
 Tel: (02324) 90 22 9-22 Fax: -64
 Email: info@stahlbus.de
 www.stahlbus.com



with cap



without cap

Dimensions Banjo Bolts / Maße Hohlschrauben

Art. / Part. Nr.	A	B	C
SB-130111	SW 13	M10 x 1,0	19 mm
SB-130121	SW 13	M10 x 1,25	19 mm
SB-130211	SW 1/2"	3/8-24 UNF	20,5 mm
SB-130311	SW 1/2"	7/16-24	20,5 mm

Dimensions Double Banjo Bolts / Maße Doppelhohlschrauben

Art. / Part. Nr-	A	B	C
SB-132111	SW 13	M10 x 1,0	29,5 mm
SB-132121	SW 13	M10 x 1,25	29,5 mm
SB-132311	SW 1/2"	3/8-24 UNF	33,5 mm